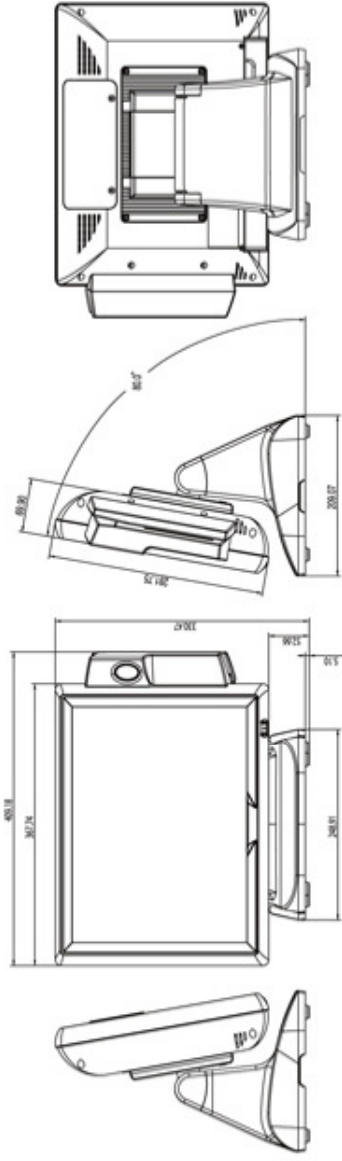


## Dimension Drawing



## Specifications

	Motherboard	NP-D5250
System Processor	Processor	Intel® Atom D525 Dual-Core Processor, 1.8GHz, 1M L2 Cache
	Chipset	Intel® ICH8M, NH82801HBM I/O Control Hub
	System Memory	1 x SO-DIMM DDR3 800 2GB
LCD Touch Screen	Graphics	Integrated Intel® Graphics Media Accelerator 3150, share system memory up to 256MB
	LCD Size	15" TFT XGA (1024x768) 250cd/m <sup>2</sup> LCD panel
	Touch Screen	15" 5-wire Resistive Touch Panel
Storage Device Expansion	Tilt Angle	0° - 80°
	Hard Drive	1 x 2.5" SATA HDD 160GB 5,400rpm, Removable type
Rear I/O	mini-PCIe	1 x mini-Card slot (mini-PCIe / USB)
	Serial port	4 x DB-9 Powered RS-232 (adjust RI/ 5V/ 12V by BIOS setting)
	USB port	4 x USB 2.0
	Parallel port	1 x DB-25 Parallel
	LAN Port	1 x RJ-45 (10/100/1000Mbps Ethernet)
Audio	VGA	1 x DB-15 VGA
	Cash Drawer Port	1 x RJ-11, support Two Cash Drawers (24V, Max 1.1A)
	DC Jack	1 x DC-12V Input
System Control/ Indicator	DC-OUT Jack	1 x DC-12V Output for 2nd Display Power (12V, Max 3.0A)
	Line-OUT	1 x Line-OUT for External Audio Speaker
	System Buzzer	1 x System Buzzer
Power	Internal Speaker	1 x 3W Speaker
	Power Switch	1 x Power ON/OFF switch
	Power LED	1 x Power ON LED (Green)
Peripheral (Optional)	Power Supply	External AC DC 12V/ 8.33A 100W Power Brick
	MSR	ISO 3 Tracks MSR (USB/ RS-232 combo interface or PS/2)
	MSR/ Fingerprint Combo	ISO 3 Tracks MSR (PS/2) & Fingerprint (USB) combo
Certificate	Customer Display	2 x 20 VFD customer display
	2 <sup>nd</sup> Display	15" LED monitor
Environment	EMC & Safety	FCC Class A / CE / LVD
	Operating Temperature	0°C ~ 40°C (32°F ~ 104°F)
	Storage Temperature	-20°C ~ 60°C (-4°F ~ 140°F)
Dimension	Operating Humidity	20% - 80% RH non-condensing
	Storage Humidity	20% - 85% RH non-condensing
	80° tilt angle	368(W) * 331(H) * 210(D) mm (No MSR) / 410(W) * 331(H) * 210(D) mm (w/ MSR)
Weight	Display Head	368(W) * 282(H) * 69.9(D) mm (No MSR) / 410(W) * 282(H) * 69.9(D) mm (w/ MSR)
	Footprint	249 (W) x 209 (D) mm
	Package Size	490(L) * 390(W) * 350mm(H) (No MSR) / 560(L) * 390(W) * 350mm(H) (w/ MSR)
Operating System	Net Weight	8.0kg (17.6lbs)
	Gross Weight	9.5kg (20.9lbs)
	Windows	POSReady 2009, POS 7, Win 7 Pro, XP Pro, Win CE 6.0.
	Linux	2.6 / 2.4 (Ubuntu, SuSE, CENTOS, Fedora)

