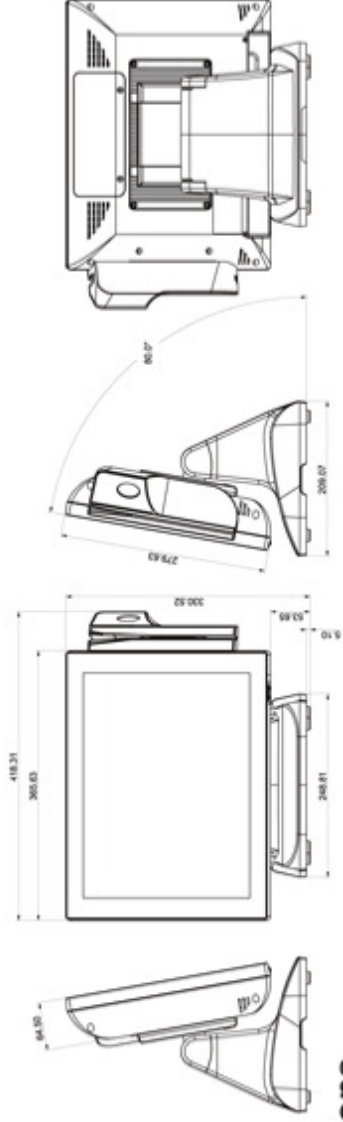


## Dimension Drawing



## Specifications

	Motherboard	NP-HM651
System Processor	Processor	Default: Intel® Core Mobile Processor i3-2330E, 2C/4T, 2.2GHz, 3MB Cache; Upgrade Optional: 2nd Generation Intel® Core Mobile Processor: <ul style="list-style-type: none"> <li>• i5-2510E, 2C/4T, 2.5GHz, 3MB Cache;</li> <li>• i7-2710QE, 4C/8T, 2.1GHz, 6MB Cache.</li> </ul>
System Processor	Technology	Intel® vPro™ Technology Intel® Active Management Technology 7.0 paired with QM67 chipset.
PCH	PCH	Default: Intel® BD82HM65 Platform Controller Hub, BD82HM65, FCBGA 989 Option: Intel® BD82QM67 Platform Controller Hub, BD82QM67, FCBGA 989
System Memory	System Memory	Default: 1 x SO-DIMM DDR3 1333 2GB; Optional: 2 x SO-DIMM DDR3 1600 Maximum up to 8GB
Graphics	Graphics	Integrated graphics controller, Intel® HD Graphics 3000
LCD Touch Screen	LCD Size	15" TFT XGA (1024x768) 250cd/m² LCD panel
LCD Touch Screen	Touch Screen	15" 5-wire Resistive Zero Bezel Touch Panel
LCD Touch Screen	Tilt Angle	0° ~ 80°
Storage Device	Hard Drive	1 x 2.5" SATA HDD 320GB 5,400rpm
Expansion	mini-PCIe	1 x mini-Card slot (mini-PCIe / USB)
Expansion	Serial port	4 x DB-9 Powered RS-232 (adjust RI/ 5V/ 12V by BIOS setting)
Expansion	USB port	4 x USB 2.0
Expansion	Parallel port	1 x DB-25 Parallel
Expansion	LAN Port	1 x RJ-45 (10/100/1000Mbps Ethernet)
Expansion	VGA	1 x DB-15 VGA
Rear I/O	Cash Drawer Port	1 x RJ-11, support Two Cash Drawers (24V, Max 1.1A)
Rear I/O	DC-IN Jack	1 x DC-19V Input
Rear I/O	DC-OUT Jack	1 x DC-12V Output for 2nd Display Power (12V, Max 3.0A)
Rear I/O	Line-OUT	1 x Line-OUT for External Audio Speaker
Audio	System Buzzer	1 x System Buzzer
Audio	Internal Speaker	1 x 3W Speaker
System Control/ Indicator	Power Switch	1 x Power ON/OFF switch
System Control/ Indicator	Power LED	1 x Power ON LED (Green)
Power	Power Supply	External AC DC 19V/ 6.31A 120W Power Brick
Peripheral (Optional)	MSR	ISO 3 Tracks MSR (USB/ RS-232 combo interface or PS/2)
Peripheral (Optional)	MSR/ Fingerprint Combo	ISO 3 Tracks MSR (PS/2) & Fingerprint (USB) combo
Peripheral (Optional)	Customer Display	2 x 20 VFD customer display
Certificate	2 <sup>nd</sup> Display	10.4" LCD monitor / 15" LED monitor
Certificate	EMC & Safety	FCC Class A / CE / LVD
Environment	Operating Temperature	0°C ~ 40°C (32°F ~ 104°F)
Environment	Storage Temperature	-20°C ~ 60°C (-4°F ~ 140°F)
Environment	Operating Humidity	20% - 80% RH non-condensing
Environment	Storage Humidity	20% - 85% RH non-condensing
Dimension	80° tilt angle	366(W) * 331(H) * 210(D) mm (No MSR) / 419(W) * 331(H) * 210(D) mm (w/ MSR)
Dimension	Display Head	366(W) * 280(H) * 64.5(D) mm (No MSR) / 419(W) * 280(H) * 64.5(D) mm (w/ MSR)
Dimension	Footprint	249 (W) x 209 (D) mm
Weight	Package Size	490(L) * 390(W) * 350mm(H) (No MSR) / 560(L) * 390(W) * 350mm(H) (w/ MSR)
Weight	Net Weight / Gross Weight	8.0kg (17.6lbs) / 9.5kg (20.9lbs)
Operating System	Windows	POSReady 2009, POS 7, Win 7 Pro, XP Pro, Win CE 6.0.
Operating System	Linux	2.6 / 2.4 (Ubuntu, SuSE, CENTOS, Fedora)

